



Equipos y Maquinaria de
Monterrey, S.A. de C.V.



Centrifugal Filtered Supply Fans



Models CSF & LSF

Application/Construction	2
Options/Accessories	2
Air Performance	3-4
Construction Features	5
Dimensions	6



Breidert Air Products, Div. of Soler & Palau Ventilation Group certifies that the Models CSF & LSF shown herein are licensed to bear the AMCA Seal. The ratings shown are based on test and procedures performed in accordance with AMCA Publication 211 and comply with the requirement of the AMCA Certified Ratings Program.

CSF/LSF 01.07
January 2007





MODELS CSF & LSF CENTRIFUGAL FILTERED SUPPLY FANS

Model CSF - Hooded Design

Model LSF - Louvered Penthouse Design

Application

Model CSF and Model LSF units are roof mounted, filtered supply fans rated from 375 to over 13,000 CFM, with static pressure capabilities to 2 inches. They are used to replace exhausted fumes, vapors and gases with fresh, filtered make-up air in commercial and industrial applications such as manufacturing and assembly areas, kitchens, athletic clubs and many others.

Model CSF's rugged, heavy-gauge galvanized hood and stack provide maximum weather protection and long life. Model LSF's architecturally pleasing, heavy-gauge aluminum louver design provides long life and the utmost in performance efficiency. Both models are backed with the industry's best warranty – five year fan/bearing protection and a one year motor warranty. (See warranty details on page 5.)

All models are belt driven for easier performance adjustment and quieter operation. Adjustable motor pulleys further simplify fan speed changes.

Construction/Specification Checklist

Blower/Housing

- Statically and dynamically balanced forward curved wheel.
- 12-gauge galvanized steel blower plate/discharge opening.
- Heavy-gauge galvanized steel housing.
- Prepunched mounting holes.
- Conduit opening for wiring from below unit.
- Disconnect switch is standard equipment (except two speed and explosion proof).

Hooded/Louvered Top

- Heavy-gauge aluminum louvered design. (LSF)
- Heavy-gauge galvanized steel hood. (CSF)
- Quick-release latches for removal from housing.
- Insulated for sound absorption and moisture barrier.
- Oversized for weather protection.
- 1" washable aluminum mesh filters.
- Mitered cut and welded corners. (LSF)

Drives

- Adjustable motor pulleys are standard.
- Sized for minimum 150% of drive horsepower.
- Pivoting motor plate for belt tensioning.
- Non-static oil resistant V-belts.

Bearings

- Five year warranty.
- Heavy-duty ball bearing type.
- Prelubricated and permanently sealed.

Motors

- One year warranty.
- Brands are nationally recognized and locally serviced.
- Open drip-proof construction is standard.
- Optional motor enclosures and types can be specified.

Certifications

- AMCA Air Licensed.
- cULus Standard 705 Listed Power Roof Ventilator label assures electrical reliability.
- cULus label must be specified when needed.

Options/Accessories

Roof Curb: Prefabricated heavy-gauge galvanized steel, welded construction, 12" high with 1-1/2" wood nailer. Options include burglar bars, single and double pitch construction, and additional curb heights.

Dampers: Motor operated for positive closure against backdraft or automatic (counter balanced).

Motors: Two speed motors through 2HP and high efficiency motors are available.

Duct Adaptor: For ease in connecting discharge duct to fan outlet.

Side Discharge: For convenient connection to a supply duct when mounted on roof where the inside ceiling height is limited (CSF). Not available on CSF9.

Special Coatings: Epoxy, Heresite and Synthetic Resin are available when special coatings are required.

Optimizer Selection Program

Please refer to Breidert's Optimizer Program for fan curve, submittal information and other details of the CSF and LSF series and other Breidert products. Contact your representative or factory for a copy. Log onto Breidert's website for additional information at: www.breidert.com

All specifications are subject to change without notice unless approved in submittal by Breidert Air Products.





AIR PERFORMANCE DATA

MODEL	HP	CFM	OV	RPM / BHP @ Static Pressure										HP										
				1/8	1/4	3/8	1/2	5/8	3/4	1	1-1/4	1-1/2	2											
9	1/4	375	458	389	0.02																			
		475	580	394	0.02																			
		575	702	406	0.03	552	0.05																	
		675	825	425	0.04	558	0.06	675	0.09															
		775	947	450	0.05	569	0.08	680	0.11															
		875	1069	475	0.07	585	0.09	688	0.13	784	0.16													
		975	1191	502	0.09	606	0.12	700	0.15	791	0.18	876	0.23									1/4		
		1075	1313	533	0.11	630	0.14	717	0.17	801	0.21	883	0.25	960	0.30								1/3	
		1175	1435	567	0.13	656	0.17	738	0.21	816	0.24	893	0.29	967	0.33	1105	0.43						1/2	
		1275	1558	603	0.17	682	0.20	762	0.24	835	0.28	906	0.33	976	0.37	1110	0.47	1234	0.59	1347	0.71		3/4	
		1375	1680	640	0.20	708	0.24	787	0.28	856	0.33	923	0.37	989	0.42	1118	0.52	1239	0.64	1351	0.76			
		1475	1802	678	0.25	739	0.28	813	0.33	880	0.37	944	0.42	1005	0.47	1128	0.57	1245	0.69	1355	0.82	1553	1.02	
		1/3	1575	1924	716	0.30	772	0.33	838	0.38	906	0.43	966	0.48	1025	0.53	1141	0.63	1253	0.75	1361	0.88	1556	1.09
		1/2	1675	2046	755	0.35	807	0.39	865	0.44	932	0.49	991	0.54	1047	0.59	1156	0.70	1264	0.82	1368	0.95		
	1775		2168	794	0.42	842	0.45	895	0.50	957	0.56	1016	0.61	1070	0.66	1175	0.78	1277	0.90	1378	1.03			
	1875		2290	833	0.48	879	0.52	927	0.57	982	0.63	1042	0.69	1095	0.74	1195	0.86	1293	0.98					
	3/4		1975	2413	872	0.56	917	0.60	961	0.65	1010	0.71	1067	0.77	1121	0.83	1218	0.95	1311	1.07				
			2075	2535	911	0.64	955	0.69	996	0.74	1041	0.79	1093	0.86	1147	0.92	1242	1.05						
	1		2175	2657	951	0.74	993	0.79	1032	0.83	1074	0.89	1120	0.95	1172	1.02								
		2275	2779	990	0.84	1031	0.89	1069	0.94	1108	0.99	1150	1.06											
	2375	2901	1030	0.94	1070	1.01	1106	1.06																
10	1/4	700	674	384	0.04																			
		825	795	403	0.05	531	0.08																	
		950	915	424	0.06	539	0.09	649	0.14															
		1075	1035	446	0.08	555	0.12	654	0.16	749	0.20											1/4		
		1200	1156	471	0.10	575	0.14	664	0.18	753	0.23	838	0.29										1/3	
		1325	1276	496	0.12	596	0.17	681	0.21	761	0.26	841	0.32	918	0.38								1/2	
		1450	1397	522	0.15	618	0.20	701	0.25	774	0.30	848	0.36	921	0.42									
		1575	1517	552	0.19	642	0.24	722	0.29	793	0.35	860	0.40	928	0.46	1060	0.60						3/4	
		1700	1638	584	0.23	667	0.28	744	0.34	814	0.40	877	0.46	939	0.52	1065	0.66							
		1/3	1825	1758	617	0.28	692	0.33	766	0.40	835	0.46	897	0.52	955	0.58	1072	0.72	1187	0.87				1
		1950	1879	651	0.33	717	0.39	790	0.45	856	0.52	918	0.58	975	0.65	1083	0.79	1193	0.95					
	1/2	2075	1999	685	0.39	744	0.45	815	0.52	879	0.59	939	0.66	996	0.73	1099	0.87	1201	1.03	1303	1.20			
		2200	2119	720	0.46	774	0.52	841	0.59	902	0.67	961	0.74	1071	0.81	1117	0.96	1213	1.12	1311	1.29	1499	1.68	
	3/4	2325	2240	755	0.54	806	0.60	866	0.67	927	0.75	983	0.83	1038	0.91	1138	1.06	1229	1.22	1320	1.39	1502	1.78	
		2450	2360	790	0.63	838	0.68	892	0.75	952	0.84	1007	0.92	1060	1.01	1159	1.17	1248	1.33	1333	1.5	1508	1.90	
		2575	2481	825	0.72	872	0.78	919	0.85	978	0.94	1032	1.03	1082	1.12	1180	1.29	1268	1.46	1350	1.63		2	
	1	2700	2601	860	0.82	905	0.89	949	0.96	1003	1.04	1057	1.14	1106	1.23	1201	1.41	1289	1.59					
		2825	2722	895	0.94	939	1.00	981	1.07	1029	1.16	1082	1.26	1131	1.35									
	1-1/2	2950	2842	931	1.06	974	1.13	1013	1.20	1056	1.28	1107	1.38	1156	1.49									
		3075	2962	966	1.19	1008	1.27	1046	1.34	1085	1.42	1132	1.52											
	3200	3081	1002	1.34	1043	1.42	1080	1.49																
12	1/4	1150	806	354	0.06	454	0.09																	
		1300	912	371	0.08	466	0.11	550	0.15															
		1450	1017	391	0.11	481	0.14	559	0.18	633	0.22												1/4	
		1600	1122	413	0.13	498	0.17	572	0.21	640	0.25	707	0.30										1/3	
		1750	1227	437	0.17	514	0.20	586	0.24	652	0.29	713	0.34											
		1900	1332	463	0.21	533	0.25	603	0.29	665	0.34	724	0.39	781	0.44								1/2	
		2050	1438	490	0.25	553	0.30	619	0.34	680	0.39	737	0.44	791	0.50	895	0.62						3/4	
		1/3	2200	1543	518	0.31	574	0.35	637	0.40	697	0.45	751	0.50	803	0.56	902	0.69	999	0.82				1
		1/2	2350	1648	547	0.37	598	0.41	656	0.47	713	0.51	767	0.57	817	0.63	912	0.76	1002	0.90				
			2500	1753	576	0.44	622	0.48	676	0.54	731	0.59	783	0.64	832	0.71	924	0.84	1011	0.98	1095	1.13		1-1/2
	3/4	2650	1858	606	0.52	648	0.56	697	0.62	749	0.68	800	0.73	848	0.79	937	0.93	1021	1.08	1102	1.23			
		2800	1963	636	0.61	675	0.65	720	0.71	768	0.78	817	0.83	865	0.89	952	1.03	1033	1.18	1111	1.34	1263	1.68	
	1	2950	2069	666	0.71	703	0.75	744	0.81	789	0.88	836	0.94	882	1.00	967	1.13	1047	1.29	1122	1.45	1267	1.80	
		3100	2174	697	0.82	731	0.86	769	0.92	811	0.99	855	1.06	899	1.12	984	1.25	1061	1.41	1135	1.58	1275	1.93	
	1-1/2	3250	2279	728	0.94	759	0.98	795	1.04	834	1.11	875	1.19	918	1.26	1001	1.38	1076	1.54	1148	1.71			
		3400	2384	759	1.07	788	1.11	821	1.17	858	1.24	897	1.32	937	1.40	1017	1.53	1093	1.68	1163	1.86			
	2	3550	2489	790	1.22	818	1.26	849	1.31	883	1.38	919	1.47	958	1.55	1035	1.69	1109	1.84					
		3700	2595	821	1.38	848	1.42	877	1.47	908	1.54	943	1.62	979	1.71	1053	1.87							
		3850	2700	852	1.55	878	1.59	905	1.64	935	1.71	967	1.79	1001	1.88									
		4000	2805	884	1.74	908	1.78	934	1.83	962	1.89	992	1.97											
	4150	2910	915	1.94	938	1.98	963	2.03																



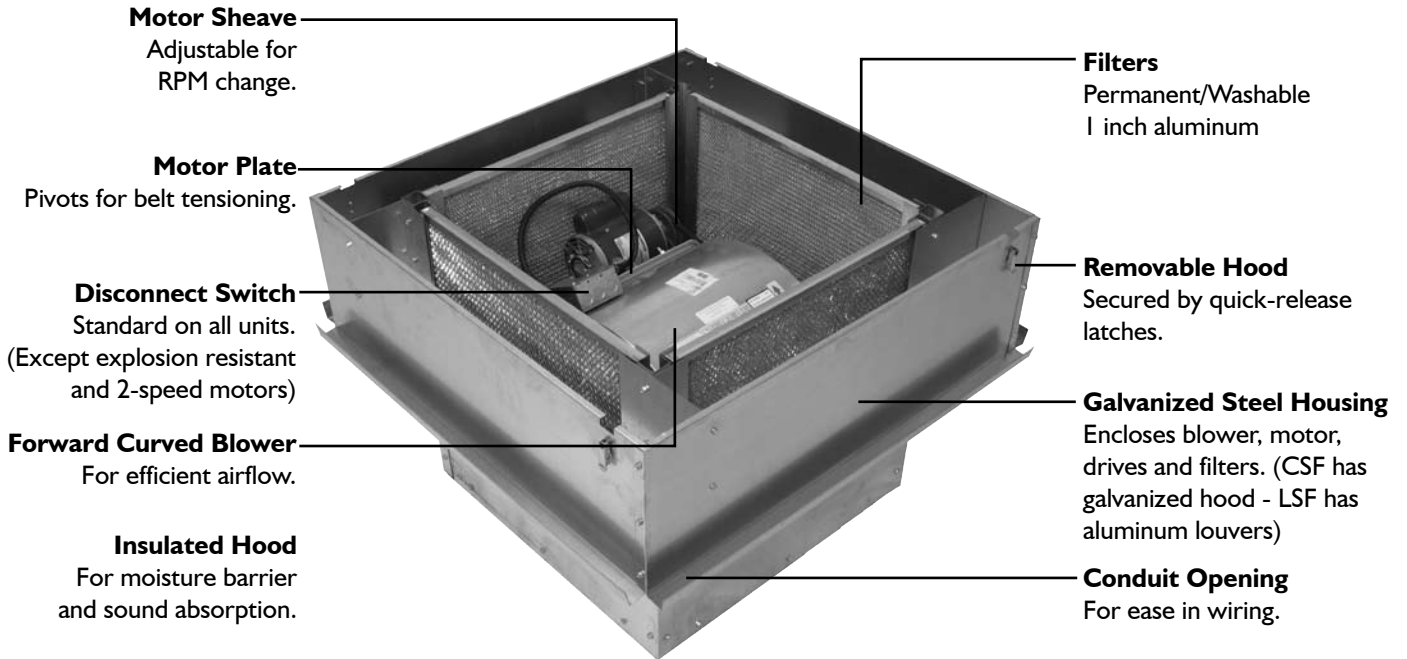
Air Performance Data

MODEL	HP	CFM	OV	RPM / BHP @ Static Pressure										HP							
				1/8	1/4	3/8	1/2	5/8	3/4	1	1-1/4	1-1/2	2								
15	1/4	1625	813	282	0.08	365	0.13														
		1825	913	295	0.11	373	0.16	443	0.22												1/4
		2125	1063	317	0.15	388	0.21	452	0.27												1/3
		2325	1163	332	0.18	401	0.25	461	0.31	517	0.38										1/2
		2625	1313	357	0.25	421	0.31	477	0.39	529	0.46	579	0.54								3/4
	1/3	2825	1413	375	0.30	435	0.37	489	0.44	539	0.52	587	0.61	632	0.69						
		3125	1563	402	0.38	457	0.46	509	0.54	556	0.63	601	0.72	644	0.81	727	1.00				1
	1/2	3325	1663	420	0.45	473	0.54	523	0.62	569	0.71	612	0.80	654	0.90	732	1.09	809	1.31	881	1.54
		3625	1812	448	0.56	498	0.66	545	0.75	589	0.84	630	0.94	670	1.05	744	1.25	816	1.47		1-1/2
	3/4	3825	1913	468	0.65	515	0.75	560	0.85	603	0.95	643	1.05	681	1.16	754	1.37	823	1.60	890	1.84
		4125	2063	497	0.80	541	0.91	584	1.01	624	1.12	663	1.22	700	1.34	770	1.57	836	1.80	898	2.05
	1	4325	2163	517	0.91	559	1.02	600	1.14	639	1.24	677	1.35	713	1.47	781	1.71	845	1.96	907	2.21
		4625	2313	547	1.10	587	1.22	625	1.34	663	1.46	699	1.57	734	1.69	800	1.94	861	2.20	920	2.47
	1-1/2	4825	2413	567	1.24	606	1.36	643	1.49	679	1.61	714	1.73	748	1.85	812	2.11	873	2.38	931	2.65
		5125	2563	598	1.47	634	1.60	669	1.73	704	1.86	737	1.99	770	2.12	832	2.39	891	2.67	947	2.96
	2	5325	2663	618	1.63	653	1.77	687	1.91	721	2.04	753	2.18	785	2.31	846	2.59	904	2.88		
		5625	2813	649	1.91	682	2.05	715	2.20	747	2.34	778	2.49	809	2.63	868	2.91				
	3	5825	2913	670	2.11	702	2.26	734	2.41	765	2.56	795	2.71	825	2.86						
		6125	3063	701	2.44	732	2.59	762	2.75	792	2.90	821	3.06								
	3	6325	3163	722	2.67	752	2.83	781	2.99	810	3.16										
6525		3263	743	2.93	772	3.09															
18	1/3	2950	1041	314	0.22	376	0.30													1/3	
		3300	1165	336	0.29	394	0.37														1/2
	1/2	3650	1289	360	0.37	414	0.46	463	0.56												
		4000	1412	384	0.47	434	0.56	481	0.67	524	0.78	564	0.89								3/4
	3/4	4350	1536	409	0.58	455	0.69	500	0.80	541	0.92	580	1.04								1
		4700	1660	435	0.71	478	0.82	520	0.95	560	1.07	597	1.20	632	1.33	699	1.59				1-1/2
	1	5050	1783	461	0.87	501	0.99	541	1.11	579	1.25	615	1.38	649	1.52	713	1.80	773	2.08		2
		5400	1907	487	1.04	526	1.17	562	1.30	599	1.44	633	1.59	667	1.73	729	2.03	787	2.33	842	2.64
	1-1/2	5750	2030	514	1.24	550	1.37	585	1.51	619	1.66	653	1.81	685	1.97	745	2.28	802	2.59	855	2.92
		6100	2154	541	1.47	575	1.60	608	1.75	641	1.90	673	2.06	704	2.23	763	2.55	818	2.89	870	3.22
	2	6450	2278	568	1.71	601	1.86	632	2.01	663	2.17	694	2.33	724	2.51	781	2.86	834	3.20	885	3.56
		6800	2401	595	1.99	626	2.15	657	2.31	686	2.47	715	2.64	744	2.82	800	3.18	852	3.55	901	3.92
	3	7150	2525	622	2.03	652	2.46	681	2.63	710	2.79	737	2.97	765	3.15	819	3.54	870	3.92	918	4.31
		7500	2648	650	2.64	679	2.81	707	2.98	734	3.15	760	3.33	787	3.52	839	3.92	888	4.33		
	5	7850	2772	678	3.01	705	3.18	732	3.36	758	3.55	784	3.73	809	3.92	859	4.33				
		8200	2895	705	3.41	732	3.60	758	3.78	783	3.97	808	4.17	832	4.36						
	5	8550	3019	733	3.85	759	4.04	784	4.24	808	4.43	833	4.63								
		8900	3143	761	4.32	786	4.52	810	4.73	833	4.93										
7-1/2	9250	3266	789	4.84	813	5.05	836	5.26	859	5.47											
	9600	3390	817	5.39	840	5.61	863	5.83													
7-1/2	9950	3513	845	5.98	867	6.21															
	20	1/3	2800	725	212	0.12	280	0.20													1/3
3340			865	230	0.18	287	0.26	342	0.35												1/2
3880			1005	248	0.25	298	0.33	349	0.43	395	0.54										
1/2		4420	1145	266	0.34	315	0.44	357	0.53	402	0.65	443	0.77								3/4
		4960	1285	285	0.45	334	0.57	371	0.67	409	0.78	450	0.92	486	1.05						1
3/4		5500	1425	305	0.59	351	0.72	389	0.84	421	0.95	457	1.08	493	1.23	559	1.52				1-1/2
		6040	1565	326	0.75	369	0.90	407	1.04	438	1.16	468	1.28	501	1.42	566	1.75				2
1		6580	1705	347	0.94	387	1.10	425	1.26	457	1.40	484	1.53	512	1.66	572	1.99	630	2.35		
		7120	1845	369	1.16	407	1.33	443	1.51	475	1.68	502	1.82	528	1.96	581	2.27	637	2.65		3
1-1/2		7660	1984	391	1.42	427	1.60	461	1.79	493	1.98	521	2.15	546	2.30	593	2.60	644	2.97	696	3.39
		8200	2124	414	1.71	447	1.91	479	2.10	510	2.31	539	2.50	564	2.68	609	3.00	654	3.35	703	3.76
2		8740	2264	437	2.04	468	2.25	499	2.46	528	2.67	556	2.89	583	3.10	626	3.45	668	3.79	712	4.19
		9280	2404	460	2.41	490	2.64	519	2.86	547	3.08	574	3.31	600	3.54	645	3.94	684	4.30	723	4.67
3		9820	2544	484	2.83	512	3.07	539	3.31	566	3.54	592	3.78	618	4.02	664	4.49	702	4.87	739	5.25
		10360	2684	508	3.29	534	3.55	560	3.80	586	4.04	611	4.29	636	4.55	681	5.05	720	5.49	756	5.89
5		10900	2824	531	3.80	556	4.08	581	4.34	606	4.60	630	4.86	654	5.13	699	5.66	739	6.17	774	6.59
		11440	2964	555	4.37	579	4.66	603	4.94	626	5.21	650	5.48	672	5.75	716	6.32	757	6.87	792	7.35
7-1/2		11980	3103	579	4.98	602	5.29	625	5.59	647	5.87	670	6.16	691	6.44	734	7.03				
		12520	3244	604	5.66	625	5.98	647	6.29	668	6.60	690	6.89	711	7.19						
7-1/2		13060	3383	628	6.39	648	6.73	669	7.06	690	7.38										
	13600	3523	652	7.19	672	7.54															

Performance shown is for installation type B - free inlet, ducted outlet. Power rating (BHP) does not include drive losses. Performance ratings do not include the effects of appurtenances in the airstream.



CONSTRUCTION FEATURES



AMCA Seal
Assures certified ratings of
Air Performance.

5-Year Fan and Bearing Warranty
1-Year Motor Warranty

 **UL** US
UL STANDARD 705
(optional)

Factory Run & Tested
Assures dependable operation.

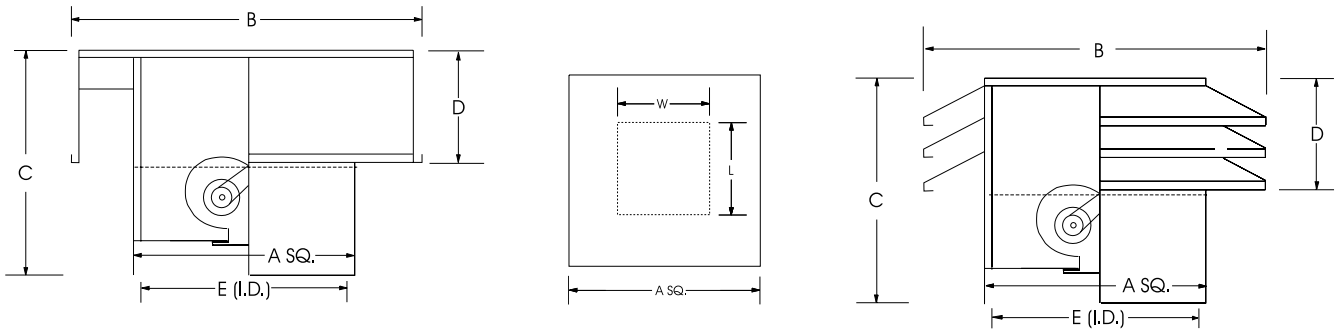
Typical Specification

Roof mounted, filtered supply fans shall be double width/double inlet, forward curved centrifugal blower type. Fan housing and drive components shall have a 5 year warranty. Motor warranty shall be 1 year. All units to be listed UL705. All units shall be AMCA Licensed for Air Performance. Model CSF hood and stack shall be heavy-gauge galvanized steel. Insulated hood to have quick release latches where tools are not required for removal. Model LSF stack selection shall be heavy-gauge galvanized steel with quick release latches and insulated top. Louvered section to be heavy-gauge aluminum with mitered cut and welded corners sized to help prevent rain and snow penetration. All bases to be prepunched for curb mounting. Bearings shall be sized for 200,000-hour (L50) life with a 5 year warranty. Motor sheaves shall be adjustable for a minimum 150% of drive horsepower. Fans shall be Model CSF or LSF manufactured by Breidert Air Products, Jacksonville, Florida.

BREIDERT AIR PRODUCTS LIMITED WARRANTY

Breidert Air Products (manufacturer), 6393 Powers Avenue, Jacksonville, Florida 32217, warrants the CSF/LSF to be free from defects in design, materials and workmanship (exclusive of abrasion, corrosion or erosion) for five (5) years from the date of shipment to the original purchaser or the date of notification of readiness to ship. Motor warranty is one (1) year. In order to claim the benefit of this warranty, buyer must notify manufacturer in writing of the claimed defect within ten (10) days after discovering it and return this equipment or parts to the factory with transportation prepaid. In the event of on-site repair, no service technician will be dispatched until manufacturer receives your written purchase order. If any of the following conditions exist, the warranty will be null and void: **(1)** Buyer has permitted other persons not approved or authorized by manufacturer to alter, adjust, replace or repair the equipment or any part thereof. **(2)** Buyer has not followed instructions or other directions given in the contract documents or our maintenance manual. **(3)** When breakage or other loss or damage is the result of any negligence, misuse or fault on the part of any operator or other person not under our supervision or control. **(4)** The defect is the result of designs or drawings made, furnished or specified by others. **(5)** In the case of goods not manufactured but supplied by the manufacturer as part of a contract, manufacturer shall only be liable to the same extent that our supplier is to manufacturer, not to exceed any liability manufacturer would have for warranty on our own equipment. **(6)** Buyer has not paid in full any invoices submitted to buyer which are due for payment. **(7)** Unusual wear and tear of the equipment. Statements relating to the product, its use or installation made prior to the execution of the agreement, are not warranties except to the extent that the contrary is expressly set forth herein. It is understood that such statements were not intended to, and did not, form a part of the agreement; they were merely made in the course of negotiations of the parties. **THIS WARRANTY IS IN LIEU OF ANY OTHER EXPRESS OR IMPLIED WARRANTIES, INCLUDING ANY IMPLIED WARRANTY OF MERCHANTABILITY OR FITNESS FOR ANY PARTICULAR PURPOSE. OUR SOLE AND EXCLUSIVE OBLIGATION UNDER THIS WARRANTY IS TO REPAIR OR REPLACE DEFECTIVE EQUIPMENT OR PARTS OR, AT OUR OPTION, TO PAY THE REASONABLE COST OF REPAIR OR REPLACEMENT. BUYER AGREES THAT NO OTHER REMEDY (INCLUDING, BUT NOT LIMITED TO, INCIDENTAL OR CONSEQUENTIAL DAMAGES, DAMAGES FOR LOST PROFITS OR SALES, OR DAMAGES FOR INJURIES TO PERSON OR PROPERTY) SHALL BE AVAILABLE. NOTWITHSTANDING THE ABOVE, THE TOTAL AMOUNT THAT MAY IN ANY EVENT BE PAYABLE IN SETTLEMENT OF LIABILITY, HOWEVER INCURRED, SHALL NOT EXCEED THE CONTRACT PRICE.**

DIMENSIONAL DATA



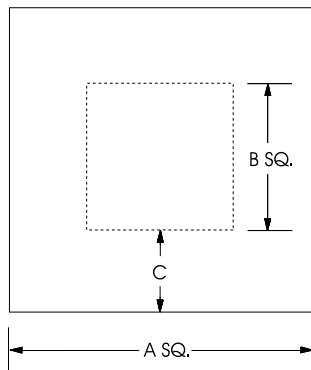
CSF

Discharge Opening

LSF

Model Size	A Housing OD	B Overall Width	C Overall Height	D Intake Height	Roof Opening	E Curb Cap ID	Damper OD	Discharge Opening	Filter Size/No.	No. Tiers	Avg. Ship Weight (lbs.)
CSF-9	24 -1/2	33-1/2	26-1/2	10-1/2	19-1/2	24 X 24	16	12 X 10-1/2	16 X 20 X 1 (4)	N/A	265
CSF-10	28-1/2	38-1/2	28-1/4	12-1/2	23-1/2	28 X 28	20	13-1/4 X 11-5/8	16 X 25 X 1 (4)	N/A	290
CSF-12	28-1/2	38-1/2	28-1/4	12-1/2	23-1/2	28 X 28	20	15-7/8 X 13-5/8	16 X 25 X 1 (4)	N/A	340
CSF-15	32-1/2	46-1/2	26	16	27-1/2	32 X 32	24	18-7/8 X 16-1/4	16 X 25 X 1 (4)	N/A	380
CSF-18	36-1/2	46-1/2	30	20	31-3/8	36 X 36	27	22-1/4 X 19	20 X 25 X 1 (4)	N/A	540
CSF-20	51-1/4	70	43	21	46	51 X 51	42	23-1/8 X 25	20 X 25 X 1 (8)	N/A	890

Model Size	A Housing OD	B Overall Width	C Overall Height	D Intake Height	Roof Opening	E Curb Cap ID	Damper OD	Discharge Opening	Filter Size/No.	No. Tiers	Avg. Ship Weight (lbs.)
LSF-9	24 -1/2	32	28-1/2	16	19-1/2	24 X 24	16	12 X 10-1/2	16 X 20 X 1 (4)	3	265
LSF-10	28-1/2	36	28-1/2	16	23-1/2	28 X 28	20	13-1/4 X 11-5/8	16 X 25 X 1 (4)	3	290
LSF-12	28-1/2	36	28-1/2	16	23-1/2	28 X 28	20	15-7/8 X 13-5/8	16 X 25 X 1 (4)	3	340
LSF-15	32-1/2	40-1/4	30	21-1/2	27-1/2	32 X 32	24	18-7/8 X 16-1/4	21-1/2 X 28 X 1 (4)	4	380
LSF-18	36-1/2	44-1/4	35	26-1/2	31-3/8	36 X 36	27	22-1/4 X 19	24 X 30 X 1 (4)	5	540
LSF-20	51-1/4	59	47	26-1/2	46	51 X 51	42	23-1/8 X 25	25-1/2 X 45-1/2 X (4)	5	890



Duct Adaptor Dimensions

Model/Size CSF/LSF	A SQ.	B SQ.	C
CSF/LSF-9	18-1/2	14-1/2	2
CSF/LSF-10	22-1/2	18-1/2	2
CSF/LSF-12	22-1/2	18-1/2	2
CSF/LSF-15	26-1/2	20-1/2	3
CSF/LSF-18	30-1/2	24-1/2	3
CSF/LSF-20	45	30	7-1/2



Equipos y Maquinaria de Monterrey, S.A. de C.V.