



Equipos y Maquinaria de  
Monterrey, S.A. de C.V.



# Direct Drive Upblast Roof/Sidewall Exhausters



## Model TXD

Application/Construction	2
Options/Accessories	2
Construction Features	3
Performance/Dimensions	4-7
Additional Products	8



Breidert Air Products, Div. of Soler & Palau Ventilation Group certifies that the Models TXD shown herein are licensed to bear the AMCA Seal. The ratings shown are based on test and procedures performed in accordance with AMCA Publication 211 and AMCA Publication 311 and comply with the requirement of the AMCA Certified Ratings Program.

TXD 01.07  
January 2007





## MODEL TXD DIRECT DRIVE UPBLAST ROOF/SIDEWALL EXHAUSTERS

### Application

Model TXD direct drive fans are roof or wall mounted centrifugal upblast exhausters rated from 250 to 3,400 CFM with static pressure capabilities to 1-1/4 inches. Breidert offers one of the widest horsepower and CFM selections in the industry. All fans are factory test run for quality assurance.

The TXD was designed with serviceability in mind. The motor compartment can be reached through the removable top or the motor housing can be removed by loosening four bolts. Breidert's optional "Grease Grabber" is an inexpensive and easy solution to grease containment. The Grease Grabber media allows water to drain away while grease is contained.

The nonoverloading backward inclined wheel with its higher static pressure capability makes this unit suitable for either ducted or nonducted applications. Its roof or wall mounting permits location near the area to be ventilated, allowing short duct runs and more efficient operation. Direct drive units use smaller diameter wheels, resulting in low sound levels and quiet operation. They have no belts or fan bearings to maintain or adjust and consequently require very little maintenance.

Isolation of the motor from the air stream and the high velocity vertical (roof) or horizontal (wall) air discharge make the Model TXD ideally suited for the removal of dirty, contaminated and/or high temperature air from processes and buildings. Typical applications include restaurant hoods and similar kitchen exhaust ventilation, fume and smoke removal, laboratory fume hood exhaust and chemical process exhaust.

All TXD fans are designed and manufactured for high performance and long life. Breidert covers the TXD with a 5 year fan warranty and a 1 year motor warranty. TXD UL762 models have a 1 year fan and motor warranty. Heavy gauge materials are used throughout the TXD. The spun inlet and shroud design provide excellent air moving efficiencies.

### Construction/Specification Checklist

#### Housing

- Curb cap with integral deep single piece spun inlet for efficient performance and prevention of leakage into ductwork.
- Heavy-gauge aluminum housing and curb cap for strength and rigidity. Curb cap is galvanized steel on all UL 762 units.
- Stainless steel alloy exterior fasteners.
- Enclosed, ventilated motor compartment isolates motor from exhaust air.
- Neoprene isolators for reduction of vibration and sound.
- The motor compartment housing is easily removable for complete maintenance access.
- Water-tight conduit tube for easy electrical connection without having to wire through the breather tube.
- Disconnect switch is standard on units with drip-proof motors.
- Integral birdscreen

#### Centrifugal Wheel

- Backward inclined for efficiency at higher static pressure.
- Nonoverloading for safe operation in ducted systems.
- Heavy aluminum hub for extra strength.
- Close running tolerance between inlet cone and wheel inlet for maximum efficiency.
- Statically and dynamically balanced for smooth, quiet operation.

#### Speed Controllable Motors

- Brands are nationally recognized and locally serviced.
- Standard motors are single speed, speed controllable and drip-proof.
- All motors are rated for continuous duty.
- Disconnect is standard with single speed drip-proof motors.
- Heavy-gauge steel motor brackets designed for maximum strength.

### Certifications

- AMCA Air and Sound Licensed.
- UL 705 Listed Power Roof Ventilator label assures electrical reliability.
- UL 762 Listed for Restaurant Exhaust Appliance available for applications where required.
- UL label must be specified when needed.
- NFPA - Model TXD is suitable for National Fire Protection Association installations. Contact factory for required accessories.

Fan RPM performances may vary from actual current motor offerings for any given model. See price publications or software for current motor RPM offerings.

### Options/Accessories

**Solid State Speed Control:** Breidert's solid state control is matched to allow smooth RPM variation and adjustment of airflow for system balancing. CFM is reduced in direct proportion to motor speed reduction. Speed controllers available for 115/1 or 230/1 operation. Exhauster performance can be controlled from the ventilated area.

**Roof Curb:** Prefabricated heavy-gauge galvanized steel, welded construction, 8" high (other heights are also available) with 1-1/2" wood nailer. Assures perfect fit of exhauster to roof opening. Options include burglar bars, single or double pitch construction and hinged curbs for easy duct access.

**Motor Operated Damper:** Motor operated aluminum damper for positive closure against backdraft (Not for UL 762 use).

**Automatic Damper:** Automatic aluminum damper for ease in installation and effective backdraft protection (Not for UL 762 use).

**Grease Grabber:** Trap designed for fast and inexpensive replacement. Grease collects in a container for safe and sanitary disposal. Keeps roof clean with proper use.

**Wall Mount Kit:** Kit allows 6-15" fans to be wall mounted. Kit can be field installed or ordered assembled from the factory. See current submittal for details.

**Curb Hinge Arrangement:** The curb hinge arrangement provides easy access to the exhaust fan, backdraft damper, and duct for servicing and cleaning.

**Birdscreen:** Integrated birdscreen provides protection from birds or other objects. Screen is horizontal with access to wheel provided. (not for UL762 use)

**Special Coatings:** Powered roof exhausters often require special coatings for protective and decorative purposes. Available coatings include: Eisenheiss, Epoxy, and Heresite (air-dried phenolic). Contact your representative or the factory for more information on available coatings and colors.

### Optisizer Selection Program

Please refer to Breidert's Optisizer Program for fan curve, submittal information and other details of the TXD series and other Breidert products. Contact your representative or factory for a copy. Log onto Breidert's web site for additional information at: [www.breidert.com](http://www.breidert.com)

### Quickship Program

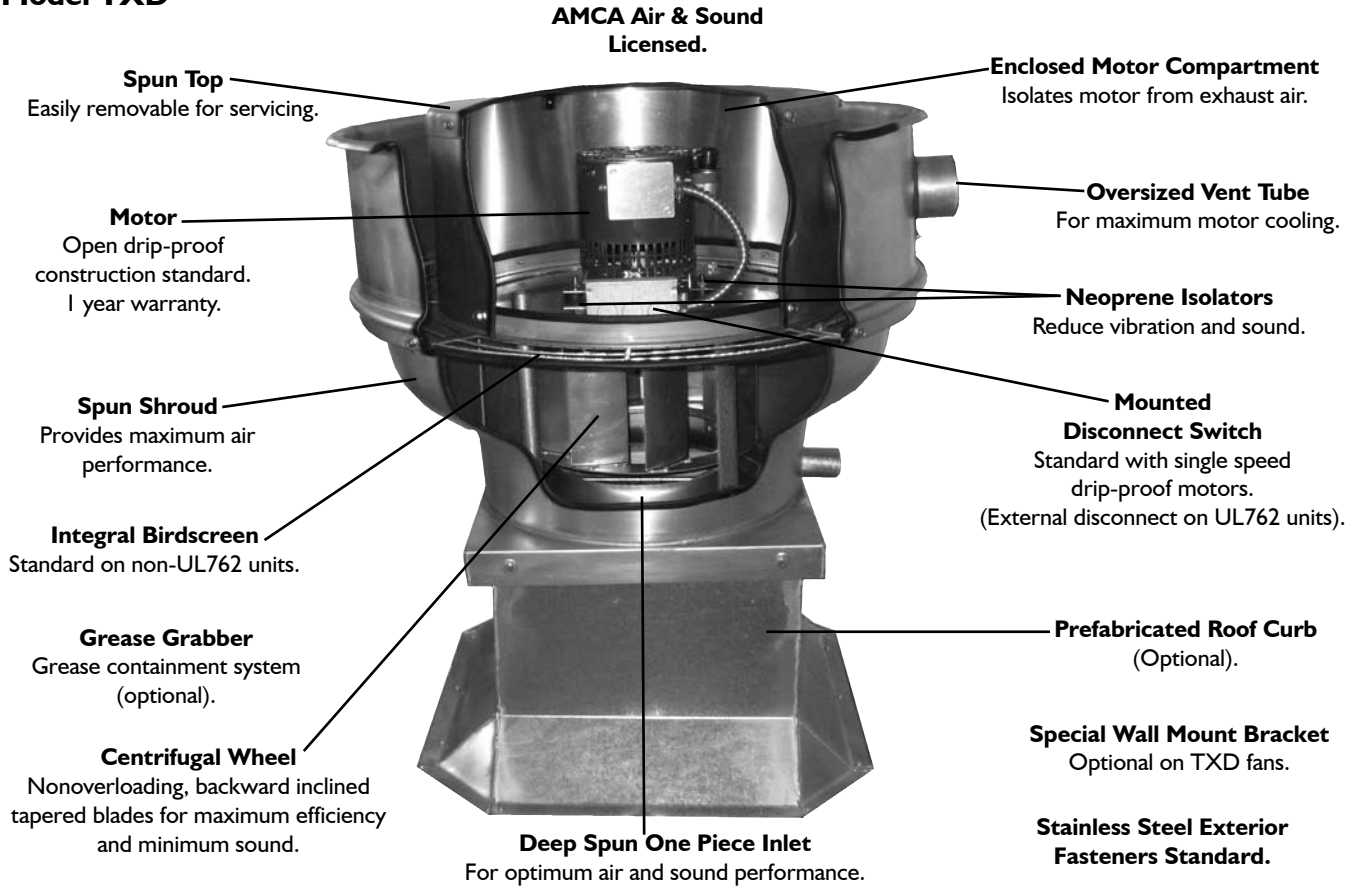
Most TXD Models and many optional accessories are available on the Quickship Program. This program provides rapid delivery of standard products so that tight project deadlines can be met and downtime on replacement work can be held to a minimum.

All specifications are subject to change without notice unless approved in submittal by Breidert Air Products.



## CONSTRUCTION FEATURES

### Model TXD



### TYPICAL SPECIFICATIONS

Roof or wall exhaust fan shall be centrifugal direct drive type. Units shall be constructed of aluminum for durability and appearance. Fan shroud assembly shall have a rolled bead edge for rigidity. Units shall have a deep spun venturi inlet for optimum performance and to prevent the entry of snow and rain. Fan unit will have stainless steel fasteners on the exterior.

Fan wheels shall be of the centrifugal backward inclined type, constructed of aluminum and containing a matching inlet venturi for optimum unit performance. Wheels shall be statically and dynamically balanced.

Motor assembly shall be isolated from unit to eliminate vibration and noise transmission. Motor and wheel assemblies shall be removable as a complete module without complete disassembly of the unit for service and maintenance. Motors shall be mounted out of the exhaust airstream and cooled by an over-sized breather tube with air separate from the exhaust. Motors shall be speed control compatible, being closely matched to the fan load and provide good speed controllability without any objectionable noise. Motor shall contain thermal overload protection and be recognized by UL and/or CSA.

A disconnect switch is standard on units with drip-proof motors. Standard birdscreen on non-UL762 units will have a removable panel for access and wheel cleaning. A conduit chase shall be provided.

Fans shall bear the AMCA Ratings Seal for Air & Sound Performance. Fans shall carry the UL705 or UL762 label as specified. Fans shall bear a permanently attached nameplate displaying model and serial number of unit for future identification.

Fans shall be Model TXD as manufactured by **Breidert Air Products**, Jacksonville, Florida.

### BREIDERT AIR PRODUCTS LIMITED WARRANTY

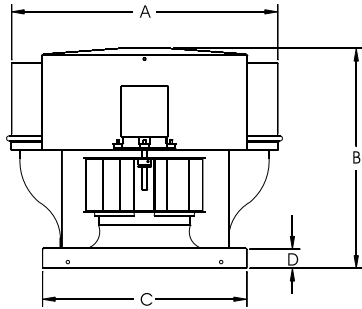
**Breidert Air Products** (manufacturer), 6393 Powers Avenue, Jacksonville, Florida 32217, warrants the TXD to be free from defects in design, materials and workmanship (exclusive of abrasion, corrosion or erosion) for five (5) years from the date of shipment to the original purchaser or the date of notification of readiness to ship. Model TXD - UL 762 for one (1) year. Motor warranty is one (1) year. In order to claim the benefit of this warranty, buyer must notify manufacturer in writing of the claimed defect within ten (10) days after discovering it and return this equipment or parts to the factory with transportation prepaid. In the event of on-site repair, no service technician will be dispatched until manufacturer receives your written purchase order. If any of the following conditions exist, the warranty will be null and void: (1) Buyer has permitted other persons not approved or authorized by manufacturer to alter, adjust, replace or repair the equipment or any part thereof. (2) Buyer has not followed instructions or other directions given in the contract documents or our maintenance manual. (3) When breakage or other loss or damage is the result of any negligence, misuse or fault on the part of any operator or other person not under our supervision or control. (4) The defect is the result of designs or drawings made, furnished or specified by others. (5) In the case of goods not manufactured but supplied by the manufacturer as part of a contract, manufacturer shall only be liable to the same extent that our supplier is to manufacturer, not to exceed any liability manufacturer would have for warranty on our own equipment. (6) Buyer has not paid in full any invoices submitted to buyer which are due for payment. (7) Unusual wear and tear of the equipment.

Statements relating to the product, its use or installation made prior to the execution of the agreement, are not warranties except to the extent that the contrary is expressly set forth herein. It is understood that such statements were not intended to, and did not, form a part of the agreement; they were merely made in the course of negotiations of the parties.

THIS WARRANTY IS IN LIEU OF ANY OTHER EXPRESS OR IMPLIED WARRANTIES, INCLUDING ANY IMPLIED WARRANTY OF MERCHANTABILITY OR FITNESS FOR ANY PARTICULAR PURPOSE. OUR SOLE AND EXCLUSIVE OBLIGATION UNDER THIS WARRANTY IS TO REPAIR OR REPLACE DEFECTIVE EQUIPMENT OR PARTS OR, AT OUR OPTION, TO PAY THE REASONABLE COST OF REPAIR OR REPLACEMENT. BUYER AGREES THAT NO OTHER REMEDY (INCLUDING, BUT NOT LIMITED TO, INCIDENTAL OR CONSEQUENTIAL DAMAGES, DAMAGES FOR LOST PROFITS OR SALES, OR DAMAGES FOR INJURIES TO PERSON OR PROPERTY) SHALL BE AVAILABLE. NOTWITHSTANDING THE ABOVE, THE TOTAL AMOUNT THAT MAY IN ANY EVENT BE PAYABLE IN SETTLEMENT OF LIABILITY, HOWEVER INCURRED, SHALL NOT EXCEED THE CONTRACT PRICE.



## PERFORMANCE/DIMENSIONAL DATA



DIMENSIONAL DATA								
DAMPER OD	ROOF OPENING	CURB OD	A	B	C	D	FAN WT	SHIP WT
11	12	15	24	22	16-1/2	2	45	76

### MODELS 6 AND 8

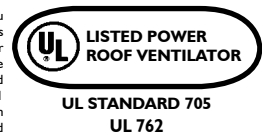
	CFM / BHP @ Static Pressure / Sones									HP	RPM	Tip Speed	
	0	1/8	1/4	3/8	1/2	5/8	3/4	7/8	1				Catalog Number
TXD 6	253 .02/3.1	185 .02/2.4	-	-	-	-	-	-	-	TXD-6SC	1/10	1110	2345
	274 .03/3.6	212 .03/3.0	-	-	-	-	-	-	-	TXD-6SC	1/10	1200	2535
	294 .03/4.2	237 .03/3.7	154 .03/3.2	-	-	-	-	-	-	TXD-6SC	1/10	1290	2725
	315 .04/4.9	262 .04/4.4	193 .04/3.9	-	-	-	-	-	-	TXD-6SC	1/10	1380	2915
	335 .05/5.6	286 .05/5.1	227 .05/4.6	115 .05/4.4	-	-	-	-	-	TXD-6SC	1/10	1470	3105
	356 .06/6.3	310 .06/5.8	258 .06/5.3	179 .06/5.1	-	-	-	-	-	TXD-6SC	1/10	1560	3296
	377 .07/7.0	334 .07/6.5	286 .07/6.0	220 .07/5.8	-	-	-	-	-	TXD-6SC	1/10	1650	3486
	397 .08/7.8	357 .08/7.3	312 .08/6.8	256 .08/6.5	168 .08/6.3	-	-	-	-	TXD-6SC	1/10	1740	3676
	410 .09/8.2	370 .09/7.7	328 .09/7.3	276 .09/6.9	203 .09/6.7	-	-	-	-	TXD-6 *	1/10	1795	3792
	533 .01/2.3	302 .01/1.2	-	-	-	-	-	-	-	TXD-8SC	1/4	680	1989
TXD 8	604 .02/3.2	420 .02/2.2	-	-	-	-	-	-	-	TXD-8SC	1/4	770	2252
	674 .03/4.1	525 .03/3.2	-	-	-	-	-	-	-	TXD-8SC	1/4	860	2516
	745 .03/5.0	616 .04/4.2	407 .04/3.2	-	-	-	-	-	-	TXD-8SC	1/4	950	2779
	815 .04/5.9	701 .05/5.2	536 .05/4.3	-	-	-	-	-	-	TXD-8SC	1/4	1040	3042
	886 .06/6.8	783 .06/6.2	644 .07/5.5	441 .06/4.5	-	-	-	-	-	TXD-8SC	1/4	1130	3305
	960 .07/7.8	867 .08/7.2	752 .08/6.6	594 .08/5.7	348 .07/5.0	-	-	-	-	TXD-8SC	1/4	1225	3583
	1031 .09/8.8	944 .10/8.2	844 .10/7.6	705 .10/6.9	527 .10/6.1	-	-	-	-	TXD-8SC	1/4	1315	3846
	1101 .11/9.9	1021 .12/9.3	930 .12/8.7	814 .13/8.1	673 .13/7.3	468 .12/6.7	-	-	-	TXD-8SC	1/4	1405	4109
	1172 .13/11.0	1097 .14/10.4	1014 .15/9.8	916 .15/9.2	786 .15/8.6	631 .15/7.9	414 .13/7.3	-	-	TXD-8SC	1/4	1495	4373
	1242 .16/12.1	1172 .17/11.6	1095 .17/11.0	1008 .18/10.5	895 .18/9.9	772 .18/9.2	600 .17/8.6	361 .15/8.1	-	TXD-8SC	1/4	1585	4636
1313 .19/13.5	1247 .19/12.8	1175 .20/12.3	1096 .21/11.8	1002 .21/11.2	883 .22/10.6	754 .21/9.9	579 .20/9.4	309 .16/8.9	TXD-8SC	1/4	1675	4899	
1364 .21/14.3	1300 .22/13.8	1232 .23/13.2	1158 .23/12.7	1072 .24/12.2	960 .24/11.6	851 .24/11.0	698 .23/10.4	510 .21/9.9	TXD-8 *	1/4	1740	5090	

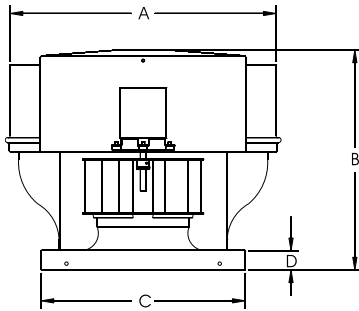
Performance certified is for installation type A - free inlet, free outlet.  
 Performance ratings include the effects of birdscreen in the airstream.  
 The sound ratings shown are loudness values in fan sones @ 5' (1.5m) in a hemispherical free field calculated per AMCA Standard 301. Values shown are for free inlet fan sone levels.

\* Base Unit - AMCA Seal for Sound Rating does not apply to units with speed control.  
 SC RPM range capable with solid state speed control.  
 Speed (RPM) shown is nominal. Performance is based on actual speed of test.



Breidert Air Products, Div. of Soler & Palau Ventilation Group certifies that the Models TXD shown herein are licensed to bear the AMCA Seal. The ratings shown are based on test and procedures performed in accordance with AMCA Publication 211 and AMCA Publication 311 and comply with the requirement of the AMCA Certified Ratings Program.





DIMENSIONAL DATA								
DAMPER OD	ROOF OPENING	CURB OD	A	B	C	D	SHIP WT	FAN WT
11	12	15	27-1/4	22	16-1/2	2	70	105

**MODEL 10**

TXD 10

CFM / BHP @ Static Pressure / Sones										HP	RPM	Tip Speed
0	1/8	1/4	3/8	1/2	5/8	3/4	7/8	1	Catalog Number			
580 .01/2.7	352 .02/3.0	-	-	-	-	-	-	-	TXD-10251 ISC	1/4	680	2122
657 .02/3.9	465 .03/4.2	164 .03/3.8	-	-	-	-	-	-	TXD-10251 ISC	1/4	770	2402
695 .03/4.5	518 .03/4.8	274 .03/4.5	-	-	-	-	-	-	TXD-10251 ISC	1/4	815	2543
734 .03/5.0	568 .04/5.4	352 .04/5.2	-	-	-	-	-	-	TXD-10251 ISC	1/4	860	2683
772 .04/5.6	617 .04/6.0	420 .04/6.0	-	-	-	-	-	-	TXD-10251 ISC	1/4	905	2824
810 .04/6.3	665 .05/6.7	482 .05/6.8	225 .04/6.3	-	-	-	-	-	TXD-10251 ISC	1/4	950	2964
849 .05/6.9	711 .05/7.4	542 .06/7.6	330 .05/7.1	-	-	-	-	-	TXD-10251 ISC	1/4	995	3104
887 .05/7.7	757 .06/8.1	599 .07/8.5	409 .06/8.0	-	-	-	-	-	TXD-10251 ISC	1/4	1040	3245
926 .06/8.4	802 .07/9.0	653 .07/9.5	480 .07/9.0	214 .06/8.5	-	-	-	-	TXD-10251 ISC	1/4	1085	3385
964 .07/9.1	846 .08/9.6	706 .08/10.1	545 .08/9.8	343 .08/9.3	-	-	-	-	TXD-10251 ISC	1/4	1130	3526
972 .07/9.2	856 .08/9.7	718 .08/10.2	559 .09/9.9	363 .08/9.4	-	-	-	-	TXD-102511 *	1/4	1140	3557
1097 .09/8.5	1007 .09/7.8	896 .10/7.1	742 .10/6.2	561 .10/5.3	318 .09/4.5	-	-	-	TXD-1025SC	1/4	1185	3697
1138 .10/9.1	1051 .10/8.3	949 .11/7.7	807 .11/6.8	639 .11/5.9	439 .10/5.2	-	-	-	TXD-1025SC	1/4	1230	3838
1222 .12/10.4	1140 .13/9.6	1052 .13/8.9	932 .14/8.1	785 .14/7.2	618 .14/6.5	414 .12/5.8	-	-	TXD-1025SC	1/4	1320	4118
1305 .15/11.7	1228 .15/10.9	1150 .16/10.2	1047 .16/9.5	917 .17/8.6	772 .17/7.8	611 .16/7.1	402 .15/6.5	-	TXD-1025SC	1/4	1410	4399
1388 .17/13.0	1316 .18/12.3	1245 .19/11.6	1155 .20/11.0	1043 .20/10.1	914 .20/9.2	771 .20/8.5	615 .19/7.8	407 .18/7.3	TXD-1025SC	1/4	1500	4680
1430 .19/13.7	1359 .20/13.0	1291 .21/12.3	1207 .21/11.7	1103 .22/10.8	980 .22/10.0	847 .22/9.2	701 .22/8.5	531 .20/7.9	TXD-1025SC	1/4	1545	4820
1472 .21/14.5	1403 .22/13.7	1337 .22/13.0	1258 .23/12.4	1161 .23/11.6	1045 .24/10.8	919 .24/10.0	781 .24/9.2	630 .23/8.6	TXD-1025SC	1/4	1590	4961
1513 .23/15.2	1446 .23/14.5	1383 .24/13.7	1308 .25/13.1	1217 .25/12.4	1109 .26/11.6	989 .26/10.7	858 .26/10.0	719 .25/9.4	TXD-1025SC	1/4	1635	5101
1527 .23/15.5	1460 .24/14.7	1398 .25/14.0	1325 .26/13.3	1236 .26/12.7	1129 .27/11.8	1011 .27/11.0	883 .27/10.3	747 .26/9.6	TXD-1025 *	1/4	1650	5148
1555 .25/16.0	1489 .25/15.2	1428 .26/14.5	1357 .27/13.8	1272 .28/13.2	1170 .28/12.3	1056 .28/11.6	933 .28/10.8	801 .28/10.2	TXD-1033SC	1/3	1680	5242
1573 .25/16.3	1508 .26/15.6	1448 .27/14.9	1379 .28/14.2	1296 .29/13.5	1197 .29/12.7	1085 .29/11.9	965 .30/11.2	835 .29/10.5	TXD-1033 *	1/3	1700	5304

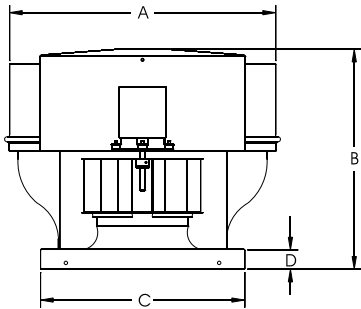
Performance certified is for installation type A - free inlet, free outlet.  
 Performance ratings include the effects of birdscreen in the airstream.  
 The sound ratings shown are loudness values in fan sones @ 5' (1.5m) in a hemispherical free field calculated per AMCA Standard 301. Values shown are for free inlet fan sone levels.  
 \* Base Unit - AMCA Seal for Sound Rating does not apply to units with speed control.  
 SC RPM range capable with solid state speed control.  
 Speed (RPM) shown is nominal. Performance is based on actual speed of test.



Breidert Air Products, Div. of Soler & Palau Ventilation Group certifies that the Models TXD shown herein are licensed to bear the AMCA Seal. The ratings shown are based on test and procedures performed in accordance with AMCA Publication 211 and AMCA Publication 311 and comply with the requirement of the AMCA Certified Ratings Program.



UL STANDARD 705  
UL 762



DIMENSIONAL DATA								
DAMPER OD	ROOF OPENING	CURB OD	A	B	C	D	FAN WT	SHIP WT
18	19-1/4	22-1/4	31-1/2	23	24	2	80	115

**MODEL 12**

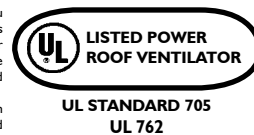
TXD 12

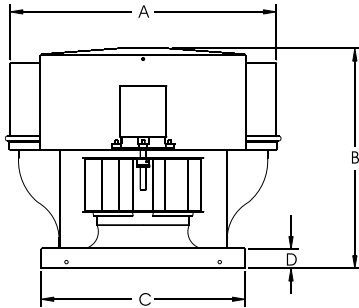
CFM / BHP @ Static Pressure / Sones											HP	RPM	Tip Speed
0	1/8	1/4	3/8	1/2	5/8	3/4	7/8	1	1 1/4	Catalog Number			
964 .03/4.3	712 .03/3.3	352 .03/2.5	-	-	-	-	-	-	-	TXD-1225SC	1/4	680	2519
1028 .03/4.9	797 .03/3.9	492 .04/3.1	-	-	-	-	-	-	-	TXD-1225SC	1/4	725	2686
1092 .04/5.5	881 .05/4.5	610 .05/3.7	-	-	-	-	-	-	-	TXD-1225SC	1/4	770	2853
1156 .05/6.2	962 .05/5.2	715 .06/4.4	-	-	-	-	-	-	-	TXD-1225SC	1/4	815	3020
1219 .06/6.8	1040 .06/5.9	809 .07/5.2	520 .06/4.6	-	-	-	-	-	-	TXD-1225SC	1/4	860	3186
1283 .07/7.4	1116 .07/6.5	897 .08/5.8	649 .08/5.1	-	-	-	-	-	-	TXD-1225SC	1/4	905	3353
1347 .08/7.9	1190 .08/7.0	985 .09/6.4	764 .09/5.7	455 .08/5.3	-	-	-	-	-	TXD-1225SC	1/4	950	3520
1411 .09/8.4	1262 .10/7.6	1071 .10/6.9	869 .10/6.4	607 .10/5.9	-	-	-	-	-	TXD-1225SC	1/4	995	3686
1475 .10/9.0	1332 .11/8.2	1155 .12/7.6	964 .12/7.0	736 .12/6.5	419 .10/6.5	-	-	-	-	TXD-1225SC	1/4	1040	3853
1538 .12/9.5	1402 .12/8.8	1239 .13/8.2	1053 .14/7.6	852 .14/7.1	590 .12/6.6	-	-	-	-	TXD-1225SC	1/4	1085	4020
1616 .13/10.3	1487 .14/9.6	1338 .15/9.1	1161 .16/8.5	983 .16/8.0	760 .15/7.4	462 .13/7.2	-	-	-	TXD-1225 *	1/4	1140	4224
1666 .15/10.8	1540 .16/10.2	1399 .16/9.7	1228 .17/9.1	1060 .17/8.5	855 .17/8.0	599 .15/7.8	-	-	-	TXD-1250SC	1/2	1175	4353
1794 .18/12.4	1676 .20/11.7	1553 .20/11.2	1399 .21/10.7	1240 .22/10.2	1078 .22/9.5	877 .21/9.0	632 .19/8.7	-	-	TXD-1250SC	1/2	1265	4687
1921 .22/14.0	1811 .24/13.3	1701 .25/12.8	1565 .25/12.3	1415 .26/11.8	1269 .26/11.2	1108 .26/10.7	916 .26/10.2	685 .23/9.8	-	TXD-1250SC	1/2	1355	5022
1985 .25/14.7	1878 .26/14.1	1773 .27/13.6	1645 .28/13.1	1501 .29/12.6	1359 .29/12.1	1213 .29/11.6	1038 .29/11.1	836 .27/10.7	-	TXD-1250SC	1/2	1400	5187
2049 .27/15.6	1945 .29/14.9	1844 .30/14.5	1724 .30/13.9	1586 .31/13.5	1446 .32/12.9	1310 .32/12.4	1152 .32/12.0	969 .31/11.5	-	TXD-1250SC	1/2	1445	5354
2113 .30/16.5	2011 .32/15.8	1914 .32/15.3	1802 .33/14.9	1670 .34/14.3	1534 .35/13.8	1402 .35/13.3	1259 .35/12.8	1092 .35/12.4	673 .30/11.8	TXD-1250SC	1/2	1490	5520
2177 .33/17.3	2078 .34/16.7	1984 .35/16.2	1878 .36/16.7	1753 .37/15.3	1620 .37/15.3	1491 .38/14.2	1361 .38/13.7	1207 .38/13.3	837 .35/12.7	TXD-1250SC	1/2	1535	5687
2240 .36/18.2	2144 .37/17.5	2053 .38/17.1	1953 .39/16.6	1834 .40/16.2	1706 .41/15.8	1578 .42/15.3	1455 .42/14.7	1316 .42/14.2	980 .40/13.4	TXD-1250SC	1/2	1580	5854
2304 .39/19.1	2210 .41/18.4	2122 .42/17.9	2027 .42/17.5	1915 .43/17.1	1791 .44/16.6	1666 .45/16.2	1545 .46/15.7	1419 .46/15.3	1110 .45/14.3	TXD-1250SC	1/2	1625	6021
2410 .44/21	2320 .46/19.9	2236 .48/19.5	2148 .48/19.0	2045 .49/18.6	1930 .50/18.2	1810 .51/17.7	1692 .52/17.2	1577 .52/16.8	1308 .52/16.0	TXD-1250SC	1/2	1700	6299
2453 .47/21	2364 .49/21	2281 .50/20	2196 .51/19.6	2097 .52/19.2	1985 .53/18.7	1867 .54/18.3	1751 .55/17.8	1638 .55/17.4	1384 .55/16.6	TXD-1250 *	1/2	1730	6410

Performance certified for installation type A - free inlet, free outlet.  
 Performance ratings include the effects of birdscreen in the airstream.  
 The sound ratings shown are loudness values in fan sones @ 5' (1.5m) in a hemispherical free field calculated per AMCA Standard 301. Values shown are for free inlet fan sone levels.  
 \* Base Unit - AMCA Seal for Sound Rating does not apply to units with speed control.  
 SC RPM range capable with solid state speed control.  
 Speed (RPM) shown is nominal. Performance is based on actual speed of test.



Breidert Air Products, Div. of Soler & Palau Ventilation Group certifies that the Models TXD shown herein are licensed to bear the AMCA Seal. The ratings shown are based on test and procedures performed in accordance with AMCA Publication 211 and AMCA Publication 311 and comply with the requirement of the AMCA Certified Ratings Program.





DIMENSIONAL DATA								
DAMPER OD	ROOF OPENING	CURB OD	A	B	C	D	FAN WT	SHIP WT
18	19-1/4	22-1/4	31-1/2	23	24	2	85	120

**MODELS 14 AND 15**

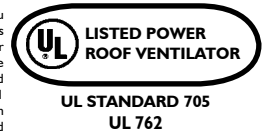
	CFM / BHP @ Static Pressure / Sones										HP	RPM	Tip Speed	
	0	1/8	1/4	3/8	1/2	5/8	3/4	7/8	1	1 1/4				Catalog Number
TXD 14	1404 .07/5.6	1210 .08/4.9	932 .08/4.1	-	-	-	-	-	-	-	TXD-1425SC	1/4	770	2978
	1486 .08/6.2	1305 .09/5.5	1062 .09/4.9	673 .08/3.8	-	-	-	-	-	-	TXD-1425SC	1/4	815	3152
	1568 .09/6.8	1398 .10/6.2	1181 .11/5.6	852 .10/4.6	-	-	-	-	-	-	TXD-1425SC	1/4	860	3326
	1650 .11/7.4	1491 .12/6.8	1294 .13/6.3	1020 .13/5.5	617 .11/4.6	-	-	-	-	-	TXD-1425SC	1/4	905	3500
	1732 .13/8.0	1582 .14/7.5	1402 .15/7.0	1163 .15/6.4	814 .14/5.5	-	-	-	-	-	TXD-1425SC	1/4	950	3674
	1814 .14/8.7	1673 .16/8.2	1506 .17/7.7	1292 .17/7.2	991 .16/6.4	605 .14/5.9	-	-	-	-	TXD-1425SC	1/4	995	3848
	1896 .16/9.4	1762 .18/8.9	1606 .19/8.4	1413 .19/8.0	1161 .19/7.3	818 .17/6.9	-	-	-	-	TXD-1425SC	1/4	1040	4022
	2060 .21/11.1	1939 .23/10.4	1798 .24/9.9	1638 .25/9.5	1439 .25/9.3	1177 .24/8.9	856 .22/8.5	-	-	-	TXD-1425 *	1/4	1130	4370
	1918 .11/7.6	1702 .12/6.8	1414 .13/6.0	1065 .13/6.0	-	-	-	-	-	-	TXD-1550SC	1/2	795	3359
	2135 .15/9.0	1948 .17/8.2	1710 .18/7.5	1406 .18/7.1	1087 .17/7.5	-	-	-	-	-	TXD-1550SC	1/2	885	3739
TXD 15	2352 .20/10.5	2188 .22/9.8	1983 .23/9.1	1736 .24/8.6	1444 .24/8.6	1145 .23/9.5	-	-	-	-	TXD-1550SC	1/2	975	4119
	2461 .23/11.3	2305 .25/10.6	2114 .26/9.9	1888 .27/9.4	1616 .28/9.1	1349 .27/10.0	981 .24/11.2	-	-	-	TXD-1550SC	1/2	1020	4310
	2569 .26/12.1	2422 .28/11.4	2241 .30/10.8	2034 .31/10.2	1787 .32/9.7	1522 .31/10.6	1239 .30/11.7	777 .24/13.1	-	-	TXD-1550SC	1/2	1065	4500
	2786 .33/13.9	2653 .36/13.2	2491 .38/12.6	2313 .39/12.0	2104 .40/11.5	1863 .41/11.8	1623 .40/12.9	1362 .38/14.2	969 .33/15.7	-	TXD-1550 *	1/2	1155	4880
	1937 .16/12.1	1815 .16/10.8	1695 .17/9.7	1571 .18/8.5	1434 .18/7.4	1268 .18/6.5	1005 .17/5.7	-	-	-	TXD-1575SC	3/4	1050	4263
	2122 .20/13.8	2009 .21/12.8	1900 .22/12.0	1790 .23/11.0	1673 .23/9.8	1543 .24/8.8	1388 .24/7.9	1167 .23/7.1	-	-	TXD-1575SC	3/4	1150	4669
	2306 .26/16.2	2202 .27/15.4	2102 .28/14.7	2001 .29/13.8	1897 .30/12.6	1787 .30/11.5	1665 .31/10.5	1523 .31/9.6	1336 .30/8.8	-	TXD-1575SC	3/4	1250	5075
	2491 .33/17.8	2394 .34/17.1	2301 .35/16.4	2208 .36/15.7	2114 .37/14.8	2016 .37/13.6	1912 .38/12.6	1798 .39/11.7	1668 .39/10.8	1265 .36/9.3	TXD-1575SC	3/4	1350	5481
	2675 .41/19.5	2584 .42/18.8	2498 .43/18.2	2412 .44/17.6	2325 .45/16.9	2236 .46/15.9	2143 .47/14.8	2046 .47/13.8	1940 .48/13.0	1682 .48/11.4	TXD-1575SC	3/4	1450	5887
	2860 .50/21	2774 .51/21	2693 .52/19.9	2613 .53/19.4	2532 .54/18.8	2450 .55/18.0	2366 .56/17.0	2278 .57/16.1	2187 .58/15.3	1980 .58/13.5	TXD-1575SC	3/4	1550	6293
3044 .60/23	2964 .62/22	2887 .63/22	2811 .64/21	2736 .65/21	2659 .66/20	2582 .67/19.2	2502 .68/18.3	2420 .69/17.5	2242 .70/15.9	TXD-1575 *	3/4	1650	6669	
3443 1.30/31	3372 1.31/30	3299 1.31/29	3222 1.32/29	3141 1.33/28	3055 1.33/27	2964 1.34/26	2866 1.33/26	2758 1.33/26	2508 1.30/25	TXD1515	1 1/2	1760	7055	

Performance certified is for installation type A - free inlet, free outlet. Performance ratings include the effects of birdscreen in the airstream. The sound ratings shown are loudness values in fan sones @ 5' (1.5m) in a hemispherical free field calculated per AMCA Standard 301. Values shown are for free inlet fan sone levels.

\* Base Unit - AMCA Seal for Sound Rating does not apply to units with speed control. SC RPM range capable with solid state speed control. Speed (RPM) shown is nominal. Performance is based on actual speed of test.



Breidert Air Products, Div. of Soler & Palau Ventilation Group certifies that the Models TXD shown herein are licensed to bear the AMCA Seal. The ratings shown are based on test and procedures performed in accordance with AMCA Publication 211 and AMCA Publication 311 and comply with the requirement of the AMCA Certified Ratings Program.



# Additional Products

**Breidert manufactures a complete line of gravity ventilators and fans for all your ventilation requirements.**



**MODEL DB**  
Backward Inclined  
Belt Drive  
Centrifugal Roof Exhaust



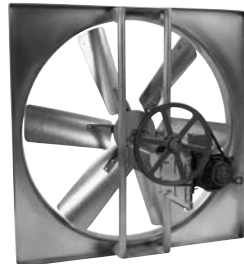
**MODEL RED**  
Backward Inclined  
Direct Drive  
Solid State Speed Control



**MODEL SQB/SQD**  
Backward Inclined  
Belt Drive/Direct Drive  
Square Inline



**MODEL UBB/UBX**  
Propeller  
Belt and Direct Drive  
Upblast Roof Exhaust



**MODEL L**  
Propeller  
Belt Drive  
Wall Exhaust or Supply



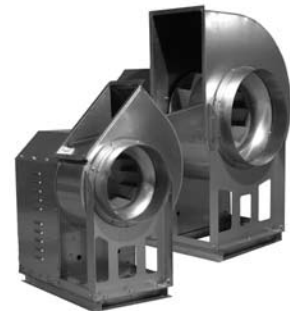
**MODEL BGH**  
Gravity Hood  
Intake or Relief



**MODEL KSF**  
Forward Curved Blower  
Belt Drive  
Filtered Roof Supply



**MODEL TXB/TXD**  
Backward Inclined  
Belt Drive/Direct Drive  
Centrifugal Upblast



**MODEL BVS**  
Backward Inclined  
Belt Drive  
Centrifugal Utility Set

DUE TO CONTINUING RESEARCH BREIDERT RESERVES THE RIGHT TO CHANGE SPECIFICATIONS WITHOUT NOTICE